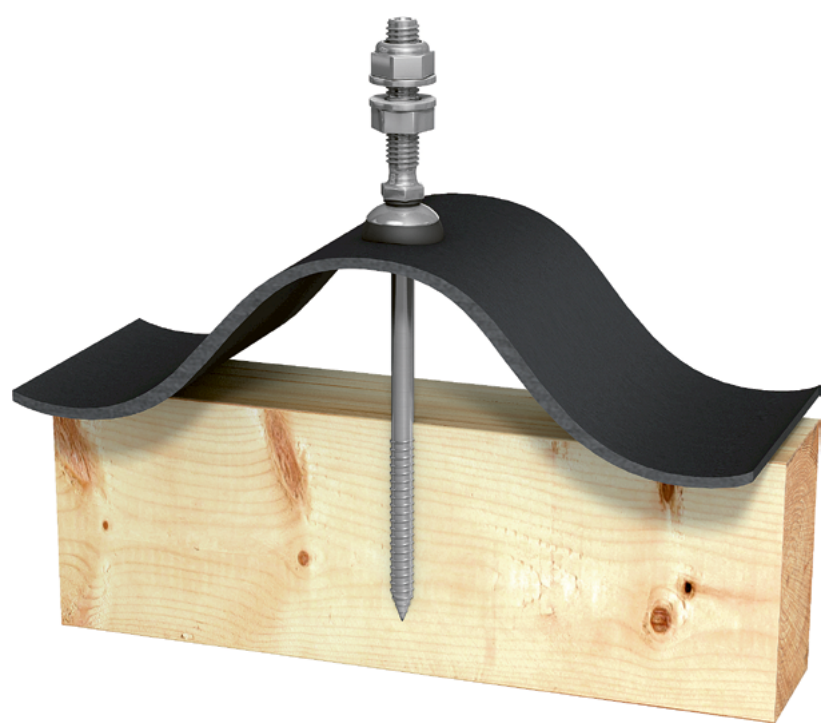


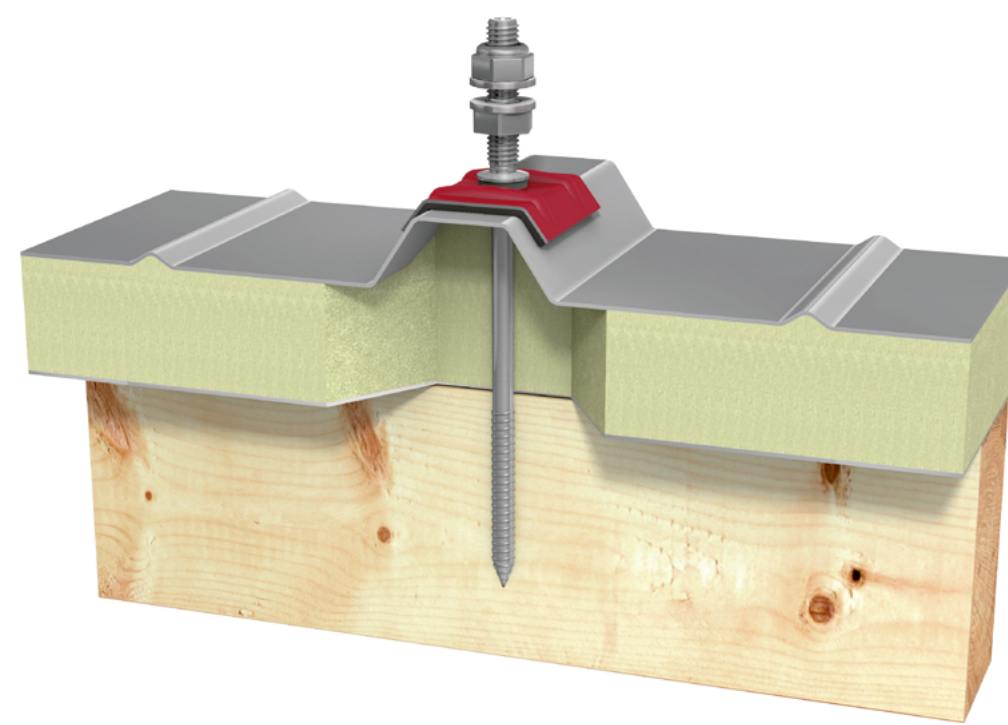
| No. | Application | Product | No. | Application | Product | No. | Application | Product | No. | Application | Product |
|-----|--|--|-----|---|-------------------------------------|-----|--|--|-----|---|--|
| 1 | Trapezoidal sheet flashing to 0.4–0.88 mm steel substructure | EJOFAST® self-drilling screw JF3-2-5.5xL E16 / JF3-2-6.0xL E16 | 3 | Trapezoidal sheet flashing to 0.4–1.5 mm steel substructure | Self-drilling screw JT3-2-6.0xL-E16 | 5 | Solar Fastener for trapezoidal profile to steel substructure | Solar Fastener JT3-SB-3-8.0xL storm washer | 7 | Solar Fastening System for corrugated fibre cement profile sheet to steel substructure | Solar Fastener JT3-SB-3-8.0xL FZD |
| 2 | Support rail to 0.4–0.88 mm steel substructure | EJOFAST® self-drilling screw JF3-2-5.5xL E16 / JF3-2-6.0xL E16 | 4 | Support rail to 0.4–1.5 mm steel substructure | Self-drilling screw JT3-2-6.0xL-E16 | 6 | Solar Fastener for sandwich profile to steel substructure | Solar Fastener JT3-SB-3-8.0xL storm washer | 8 | Solar Fastener for trapezoidal profile to timber substructure | Solar Fastener JA3-SB-8.0xL storm washer |
| | | | | | | | | | 9 | Solar Fastener for sandwich profile to timber substructure | Solar Fastener JA3-SB-8.0xL storm washer |
| | | | | | | | | | 10 | Solar Fastening System for corrugated fibre cement profile sheet to timber substructure | Solar Fastener JA3-SB-8.0xL FZD |

Product selection depending on roof structure

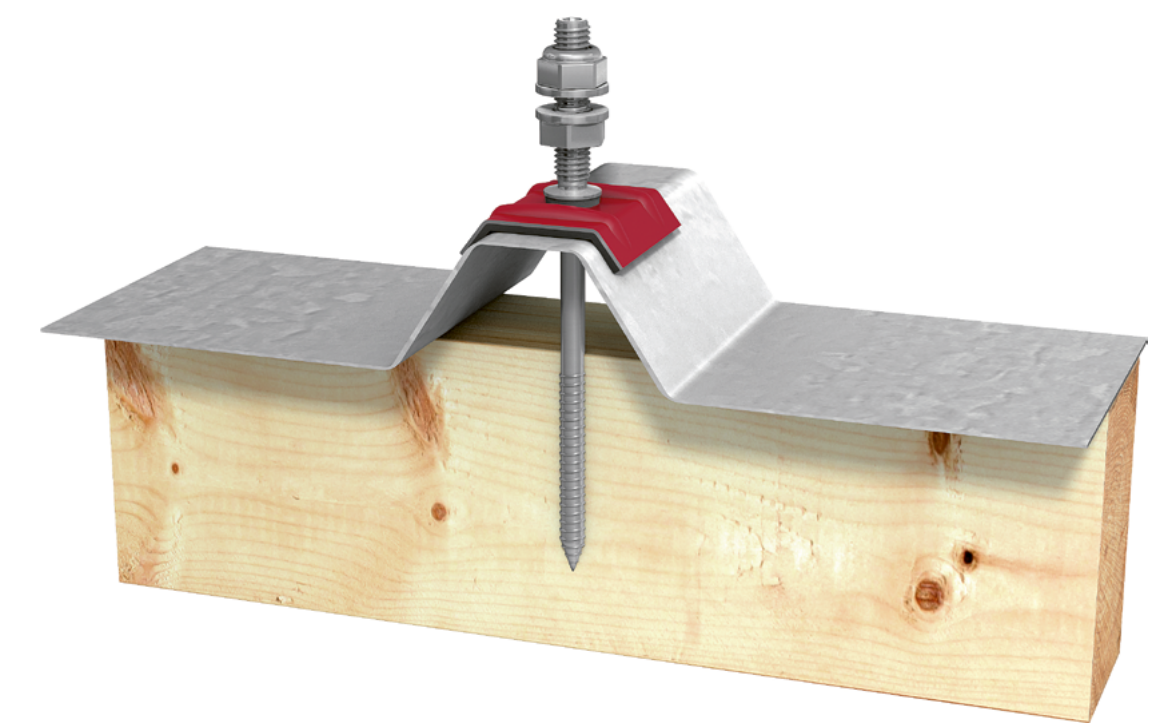
JA thread for timber substructures:



JA3-SB-8.0xL
with FZD fibre cement seal for fibre cement roofing

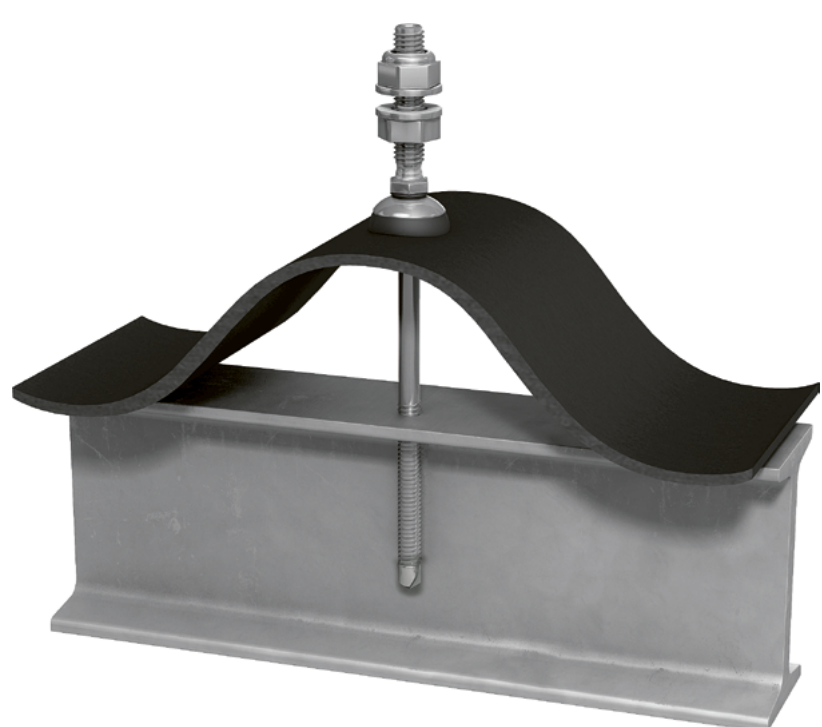


JA3-SB-8.0xL
with sealing washer E16 + ORKAN storm washer for sandwich panels

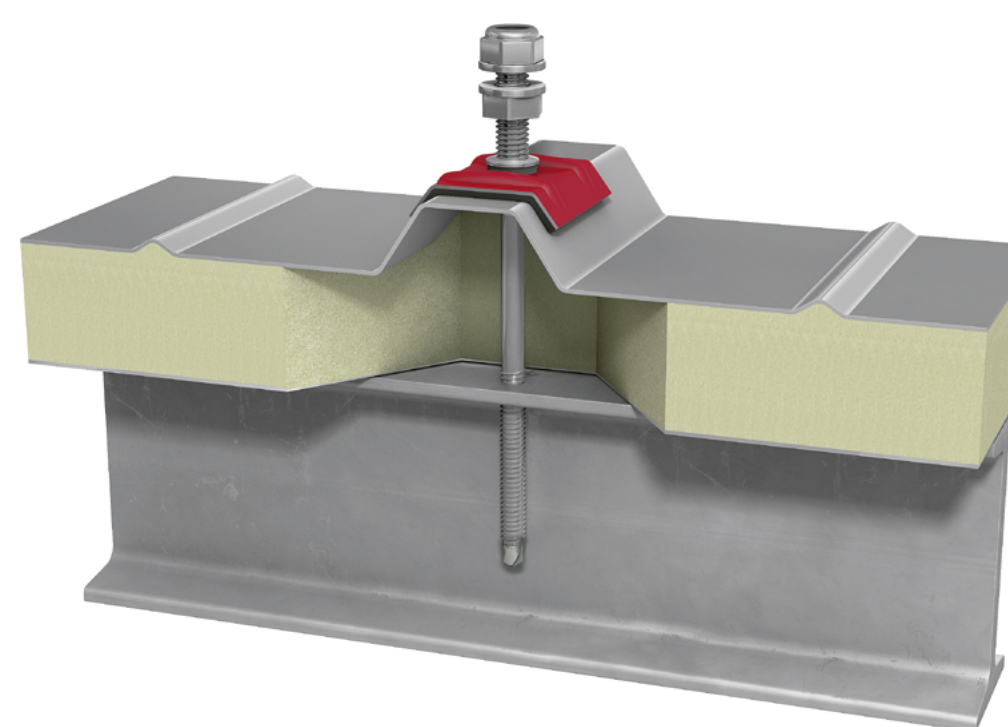


JA3-SB-8.0xL
with sealing washer E16 + ORKAN storm washer for trapezoidal profiles

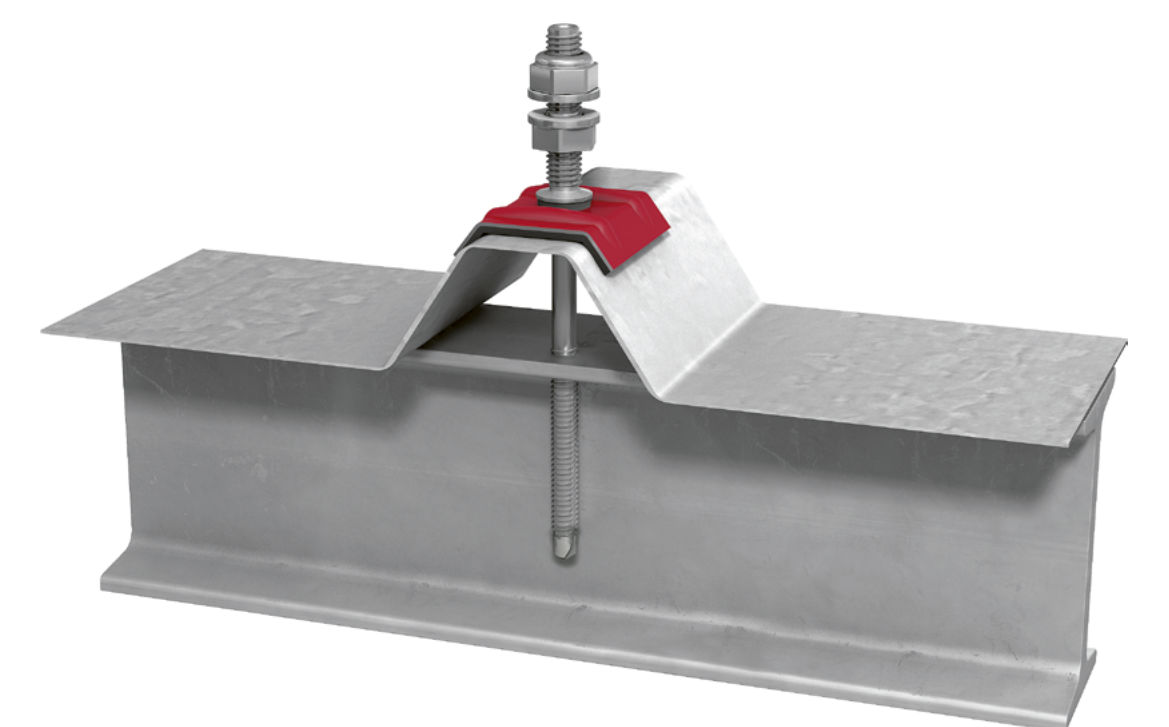
JT thread for steel substructures:



JT3-SB-3-8.0xL
with FZD fibre cement seal for fibre cement roofing



JT3-SB-3-8.0xL
with sealing washer E16 + ORKAN storm washer for sandwich panels



JT3-SB-3-8.0xL
with sealing washer E16 + ORKAN storm washer for trapezoidal profiles